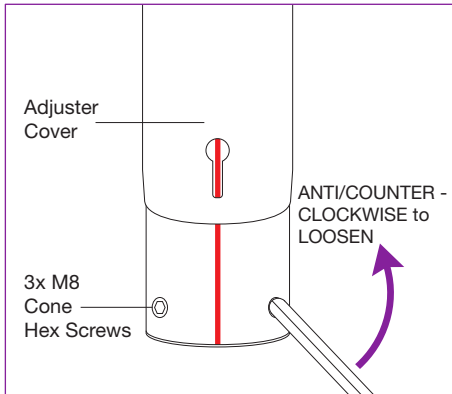


X-LOCK Dual Lined (CX) INSTALLATION Poles

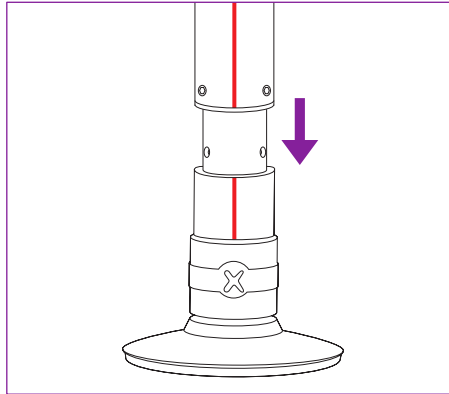
Thank you for purchasing an X-POLE X-LOCK dual-lined pole. The following instructions will guide you through the process of attaching the X-LOCK base to the bottom of your pole. Considerable time and effort have been put into the design and creation of this item to ensure you have the best possible product. We thrive on positive input and constructive criticism, if you have a suggestion on how you feel we could improve this product or a change that could make it even better, please let us know.

Fig. (1.1)



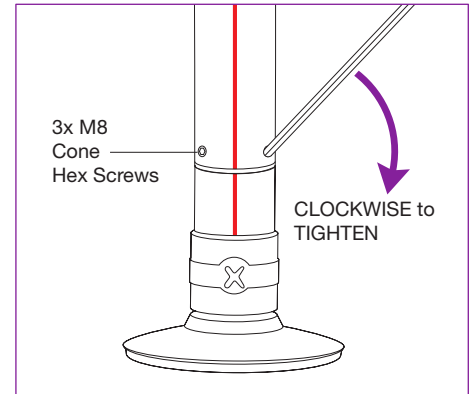
Remove the 3 x M8 cone hex screws from the bottom of the pole using the 4mm hex key. Ensure you keep the removed screws safe to secure the base.

Fig. (1.2)



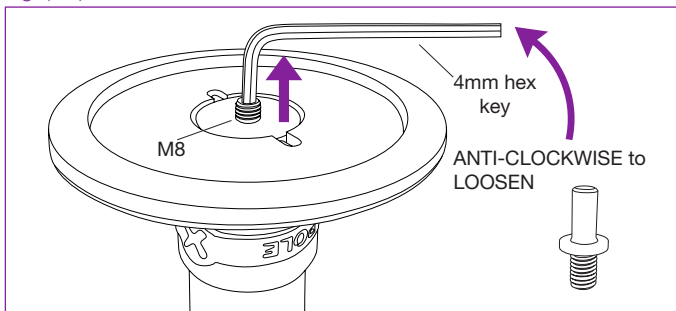
Insert the X-LOCK base and align the red adjuster line and the corresponding line on the X-LOCK base.

Fig. (1.3)



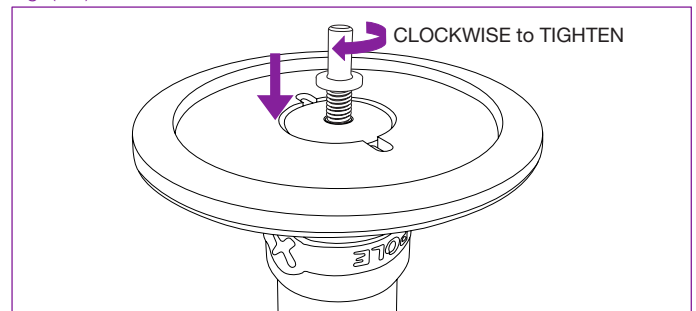
Insert and tighten the 3 x M8 cone hex screws using the 4mm hex key. Please ensure the M8 cone hex screws are fully inserted so as not interfere with the pole adjuster cover.

Fig. (1.4)



If using a pinned base, turn the X-Lock Adjuster upside down and remove the M8 Base Screw using a 4mm hex key. Keep the screw safe as you may require it at a later date.

Fig. (1.5)



Replace the M8 screw with the pin supplied and tighten until the threaded section of the pin is fully in the base.

⚠ CAUTION: It is advised to use two or more people to upgrade studio/competition poles due to weight & length.